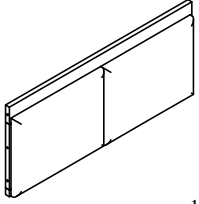
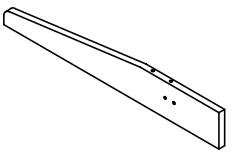
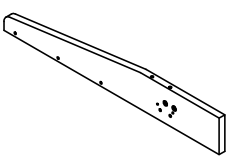
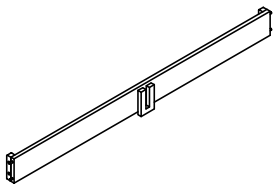



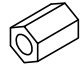



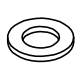



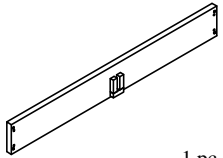
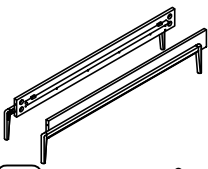
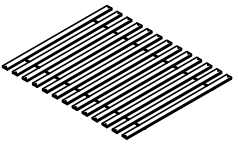
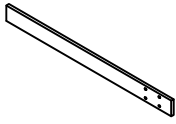
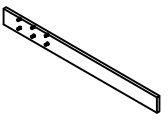





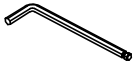




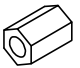


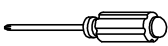
**Warning :**

- Be sure to check all packing material carefully for small parts, which may have come loose inside the carton during shipment.
- To prevent possible scratches and damage, this furniture **MUST BE ASSEMBLED BY TWO PEOPLE** on a soft surface such as a blanket or carpet.

**Hardware and Parts packed with the Headboard**

<p>83784 --King Uph Headboard</p>  <p>(H-A) 1 pc.</p>	<p>Headboard Post (Left)</p>  <p>(H-B) 1 pc.</p>	<p>Headboard Post (Right)</p>  <p>(H-C) 1 pc.</p>	<p>Headboard Stretcher</p>  <p>(H-D) 1 pc.</p>	
<p>All thread bolt Ø5/16"-18 x 3-1/2"</p>  <p>(H-E) 6 pcs.</p>	<p>Curved Washer Ø5/16"</p>  <p>(H-F) 6 pcs.</p>	<p>Flat Washer Ø5/16" x 16*2mm</p>  <p>(H-G) 6 pcs.</p>	<p>Hexagonal nut Ø5/16 x L17mm</p>  <p>(H-H) 6 pcs.</p>	<p>Open Wrench 12 mm</p>  <p>(H-I) 1 pc.</p>
<p>Allen Head Bolt Ø5/16"-18 x 1-3/4"</p>  <p>(H-J) 4 pcs.</p>	<p>Spring Washer Ø5/16"</p>  <p>(H-K) 10 pcs.</p>	<p>Flat Washer Ø5/16" x 19*2mm</p>  <p>(H-M) 4 pcs.</p>	<p>Allen Key 5 mm</p>  <p>(H-N) 1 pc.</p>	

**Hardware and Parts packed with the Platform Footboard & Rails**

<p>83785 -- King Uph Platform Footboard</p>  <p>(F-A) 1 pc.</p>	<p>83785 - Side Rails</p>  <p>(F-B) 2 pcs.</p>	<p>Wood Slat 77-1/8" Long</p>  <p>(F-C) 1 Set.</p>	<p>Front support rails 48 3/8" x 3/4" x 3 1/2"</p>  <p>(F-D) 1 pc.</p>	<p>Back support rails 48 3/8" x 3/4" x 3 1/2"</p>  <p>(F-E) 1 pc.</p>
<p>Support leg 14" x 1 1/2" x 1 1/2"</p>  <p>(F-F) 1 pc.</p>	<p>Allen Head Bolt Ø1/4"-20 x 1-1/4"</p>  <p>(F-G) 2 pcs.</p>	<p>Allen Head Bolt Ø1/4"-20 x 2"</p>  <p>(F-H) 6 pcs.</p>	<p>Spring Washer Ø1/4"</p>  <p>(F-I) 8 pcs.</p>	<p>Flat Washer Ø1/4" x 19*2mm</p>  <p>(F-J) 8 pcs.</p>
<p>Allen Key 4 mm</p>  <p>(F-K) 1 pc.</p>	<p>All thread bolt Ø5/16"-18 x 3-1/2"</p>  <p>(F-L) 8 pcs.</p>	<p>Curved Washer Ø5/16"</p>  <p>(F-M) 8 pcs.</p>	<p>Flat Washer Ø5/16" x 16*2mm</p>  <p>(F-N) 8 pcs.</p>	<p>Spring Washer Ø5/16"</p>  <p>(F-P) 8 pcs.</p>
<p>Hexagonal nut Ø5/16 x L17mm</p>  <p>(F-Q) 8 pcs.</p>	<p>Open Wrench 12 mm</p>  <p>(F-R) 1 pc.</p>	<p>Wood Screw #8 x 1"</p>  <p>(F-S) 28 pcs.</p>	<p>Screw Driver not included</p> 	

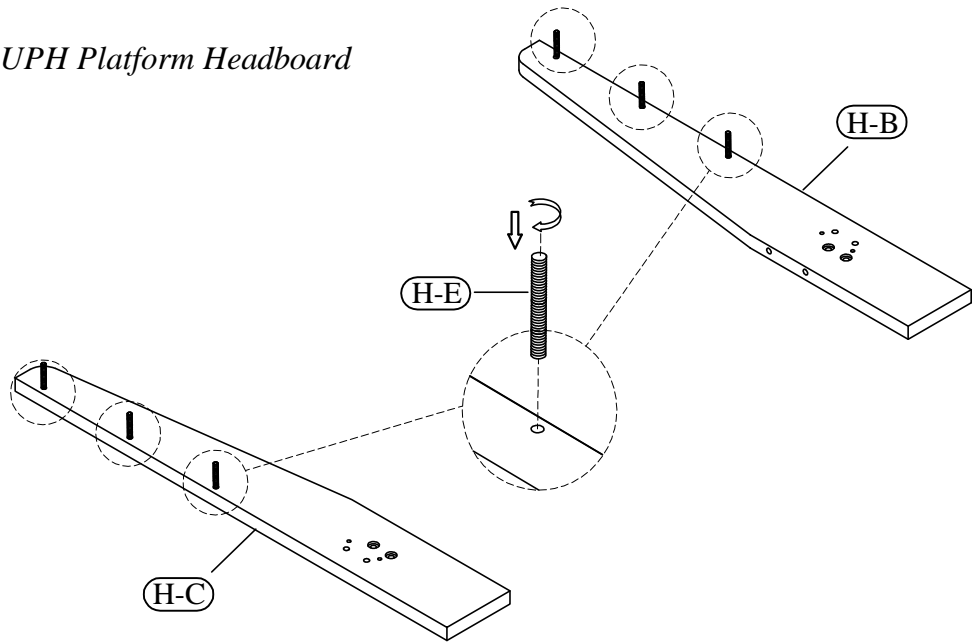
King Bed

83784 -- King UPH Platform Headboard

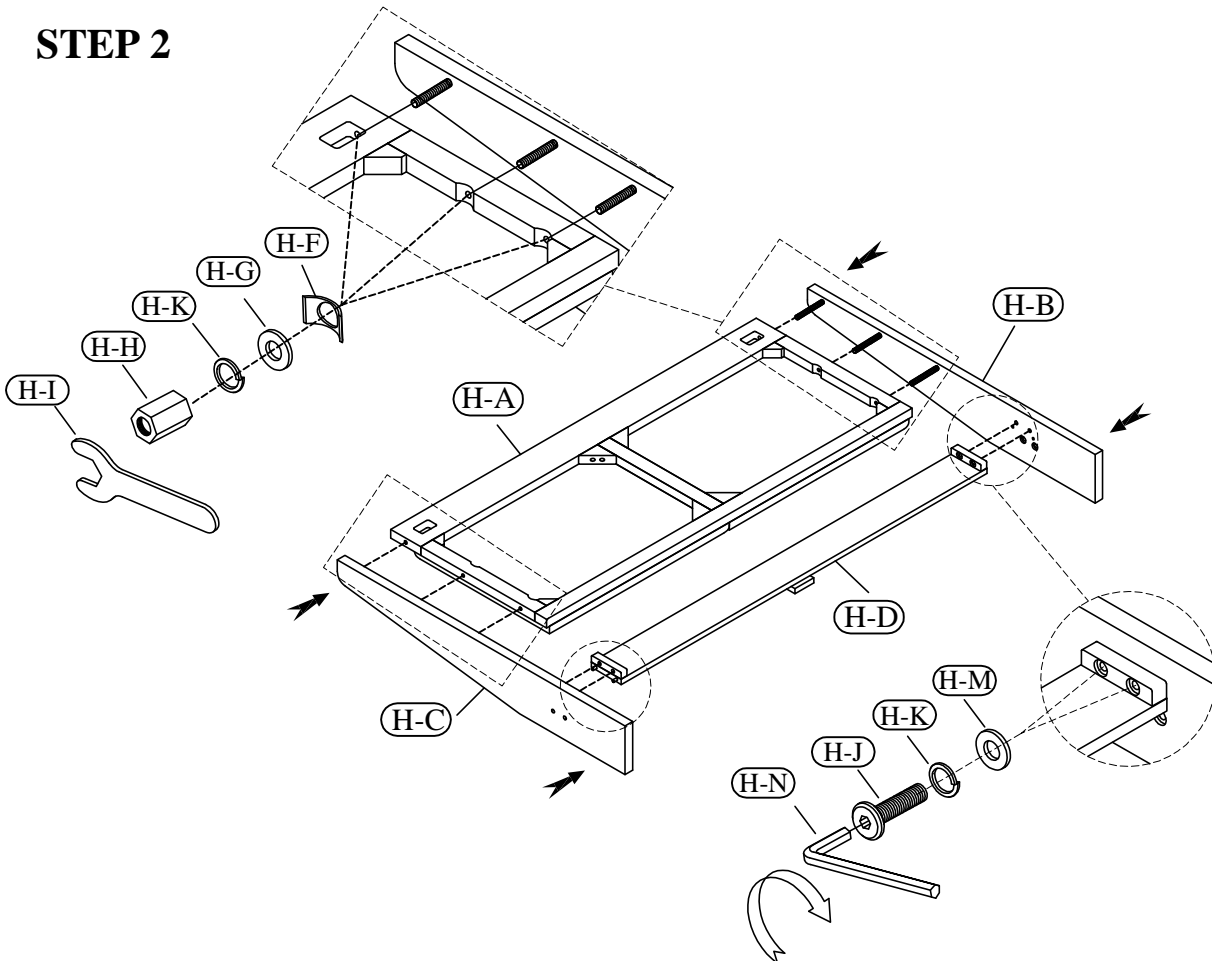
83785 -- King Platform Footboard & Rails

King Bed  
83784 -- King UPH Platform Headboard

**STEP 1**



**STEP 2**

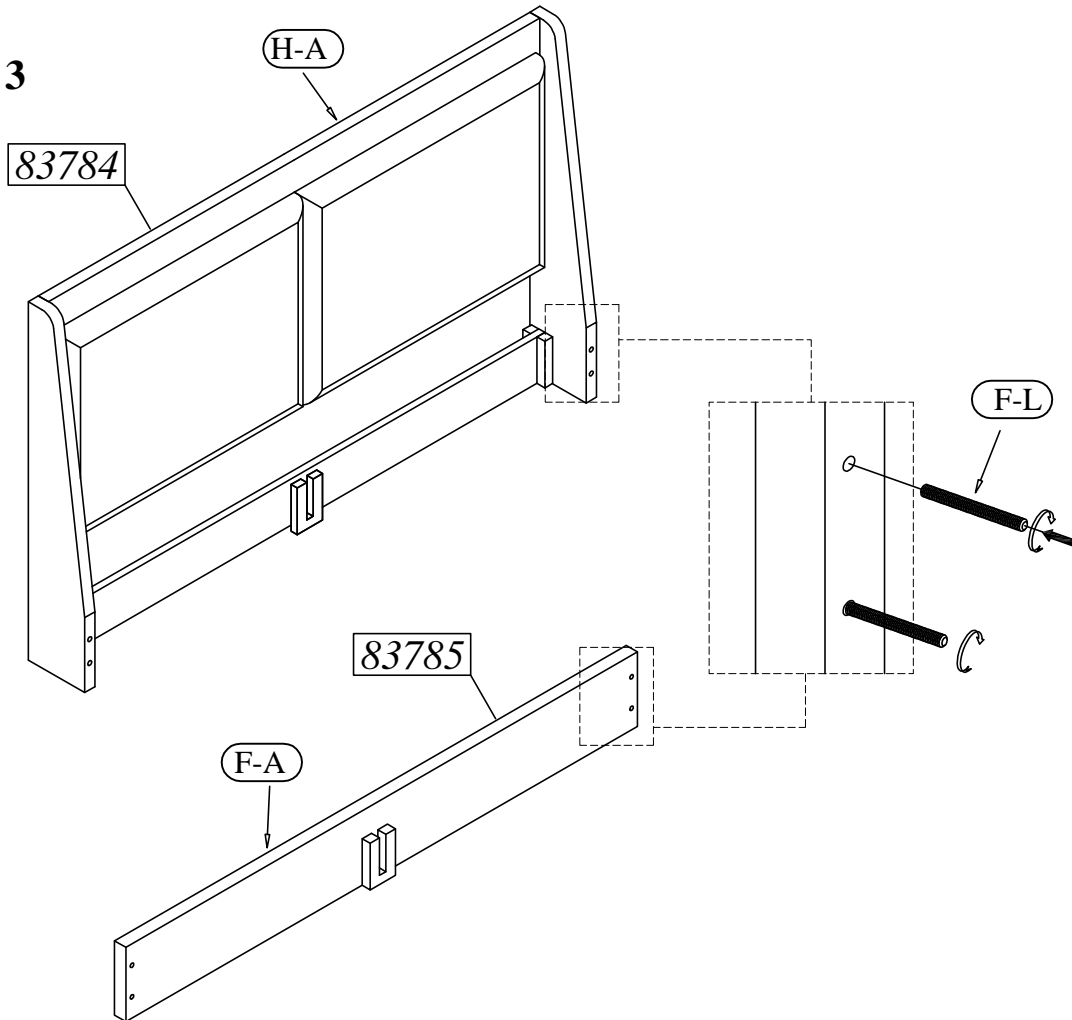


**King Bed**

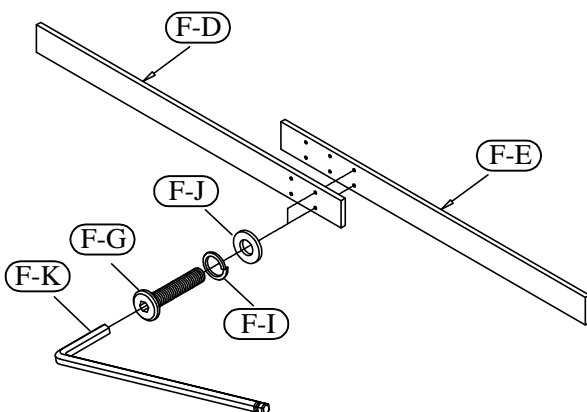
83784 -- King UPH Platform Headboard

83785 -- King Platform Footboard & Rails

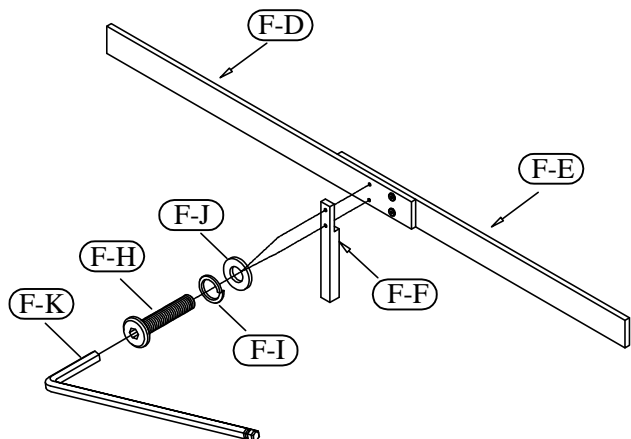
**STEP 3**



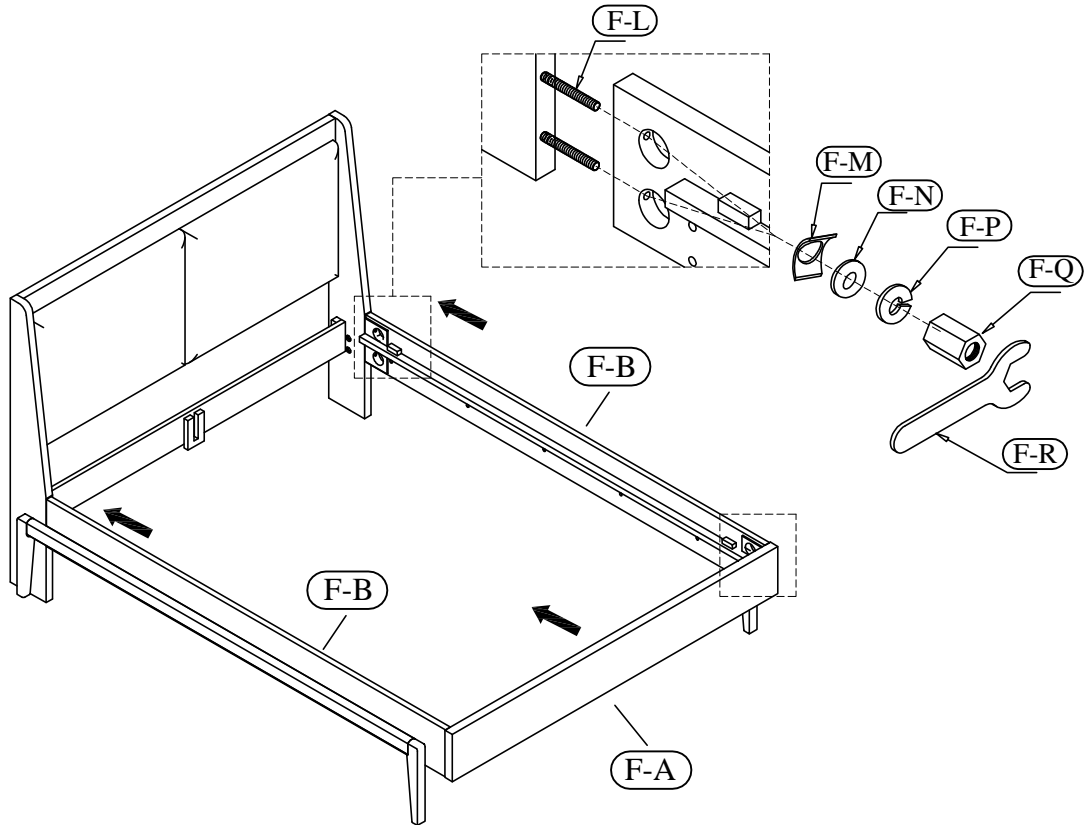
**STEP 4**



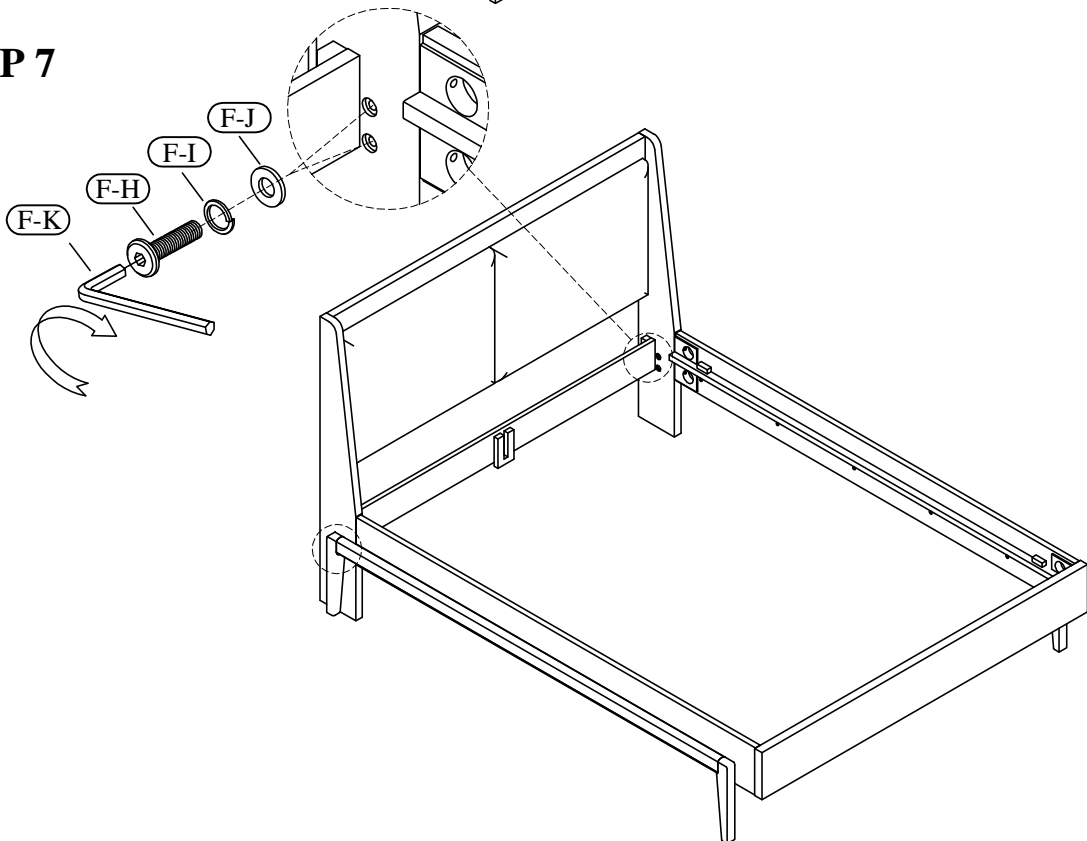
**STEP 5**



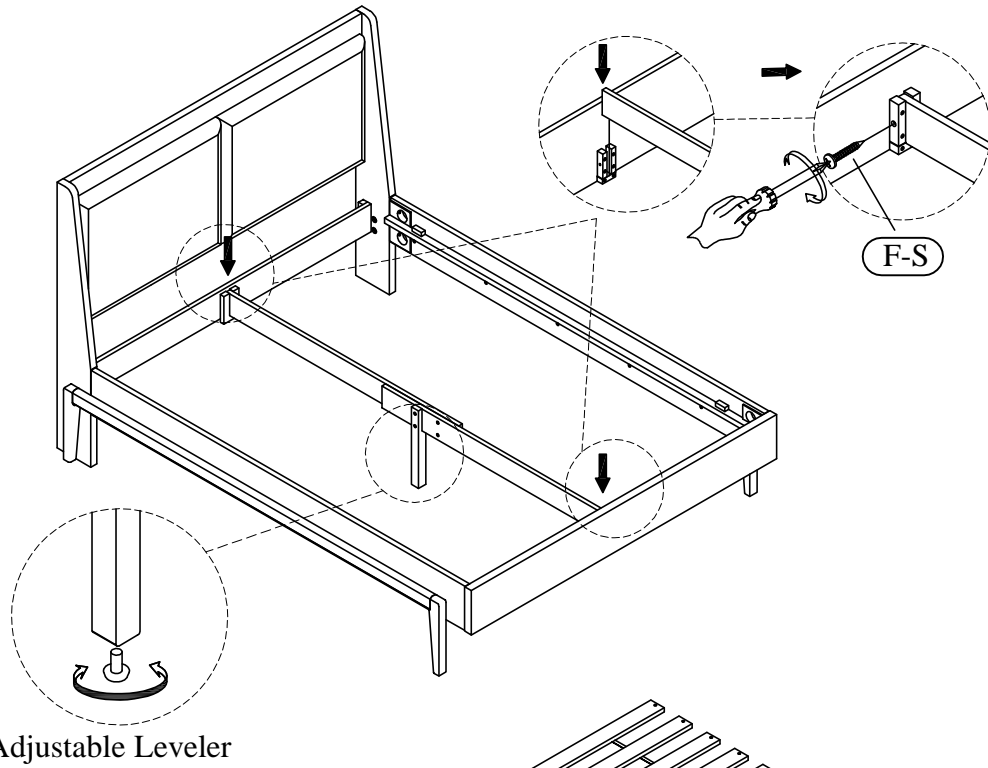
**STEP 6**



**STEP 7**



**STEP 8**



**STEP 9**

